

BÖLLHOFF

NEW

DUCTEC®

Flexible height adjustment for suspensions –
quick, stepless and without tools



DUCTEC® Flexible height adjustment for suspensions

You surely know about the challenges to precisely align suspensions or achieve the intended slope at great heights, in confined spaces or in adverse weather conditions. The adjustment can be time-consuming, especially if there is a great number of components or if repeated adjustments are necessary.

Employ our innovative system DUCTEC® to achieve a precise, adjusted height compensation quickly, easily and without the use of tools. This one-piece solution can simply be integrated into thread systems and suited for heavy suspension weights.

Your advantages – an overview

- Significant time- and cost-saving during the complete assembly process
- Higher degree of prefabrication
- Easy to dismantle

Fields of application

- Ventilation ducts
- Wastewater, freshwater and heating lines
- Heavy dry ceilings

Technical data

Steel pipe

- Diameter: 15 mm
- Length: 80 mm
- Galvanised

Screw

- Dimension: M 8 x 40 mm
- Usable thread length: 26 mm
- Galvanised

Thread insert

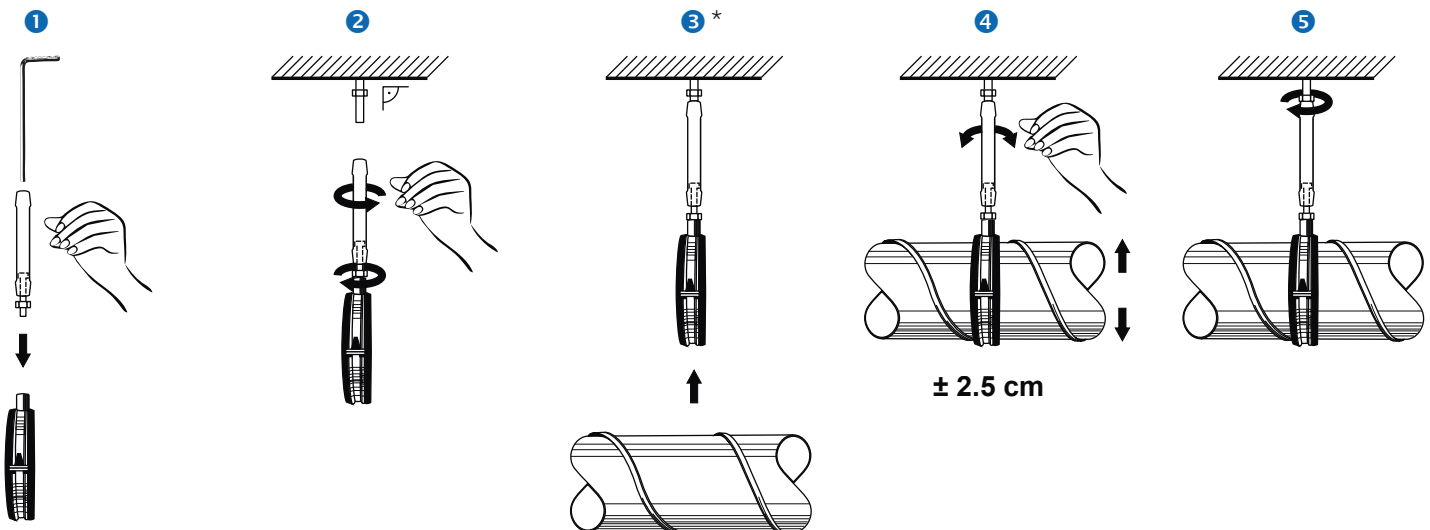
- Dimension: M 8
- Integrated assembly aid

Joint

- Easily integrable into common thread systems
- Length adjustment range up to 50 mm
- Suspension weight up to 100 kg (recommended)
- Breaking load far more than 300 kg



Installation process



* Optionally, the pipe, the pipe clamp and the adjustment element can already be pre-assembled in step 1.

See for yourself.

